

# CALCULATION SHEET

Project/Task/File No: .....

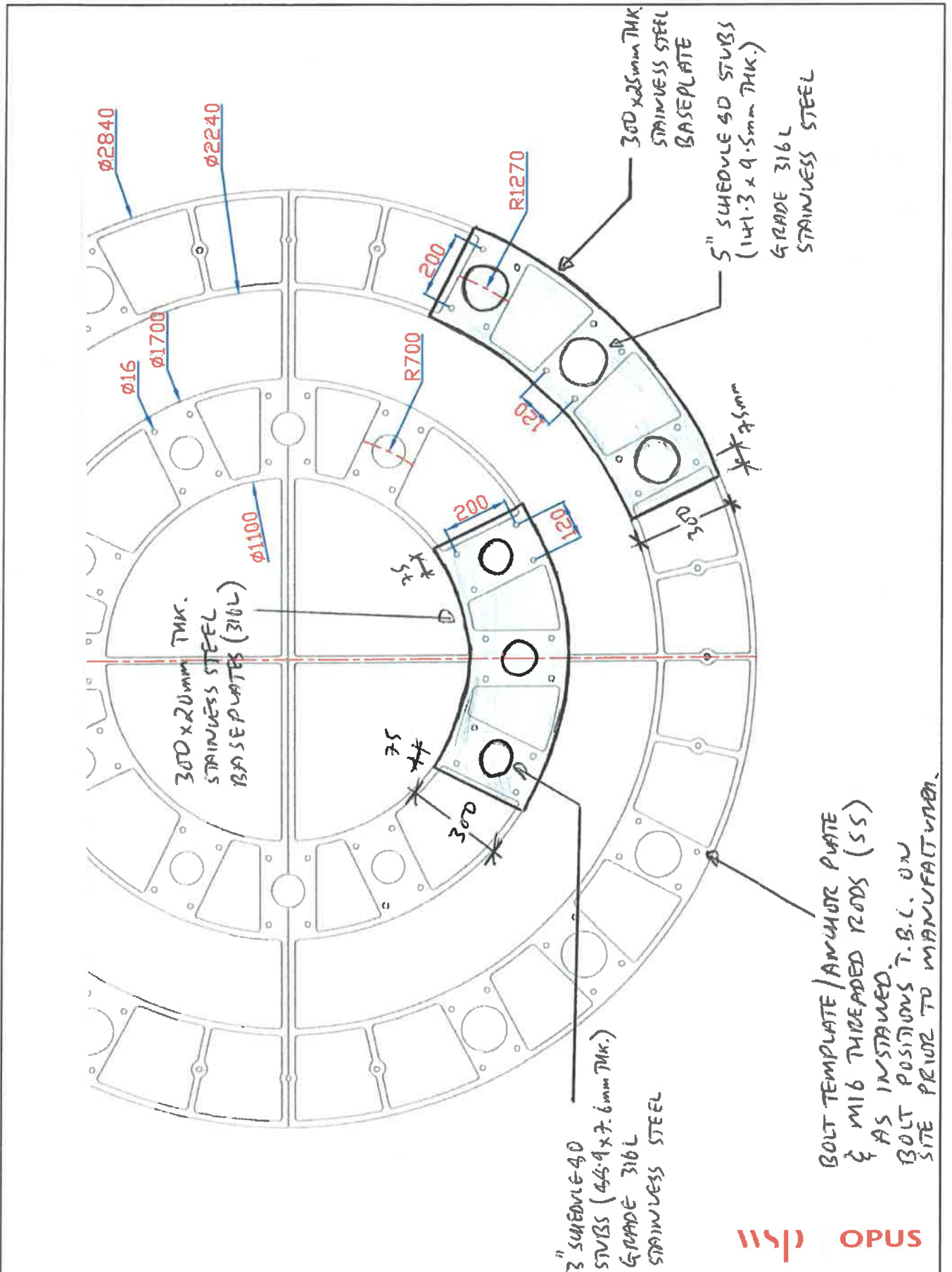
Sheet No \_\_\_\_\_ of \_\_\_\_\_

Project Description: .....

Office: .....

Computed: / /

Check: / /



# CALCULATION SHEET

Project/Task/File No: .....

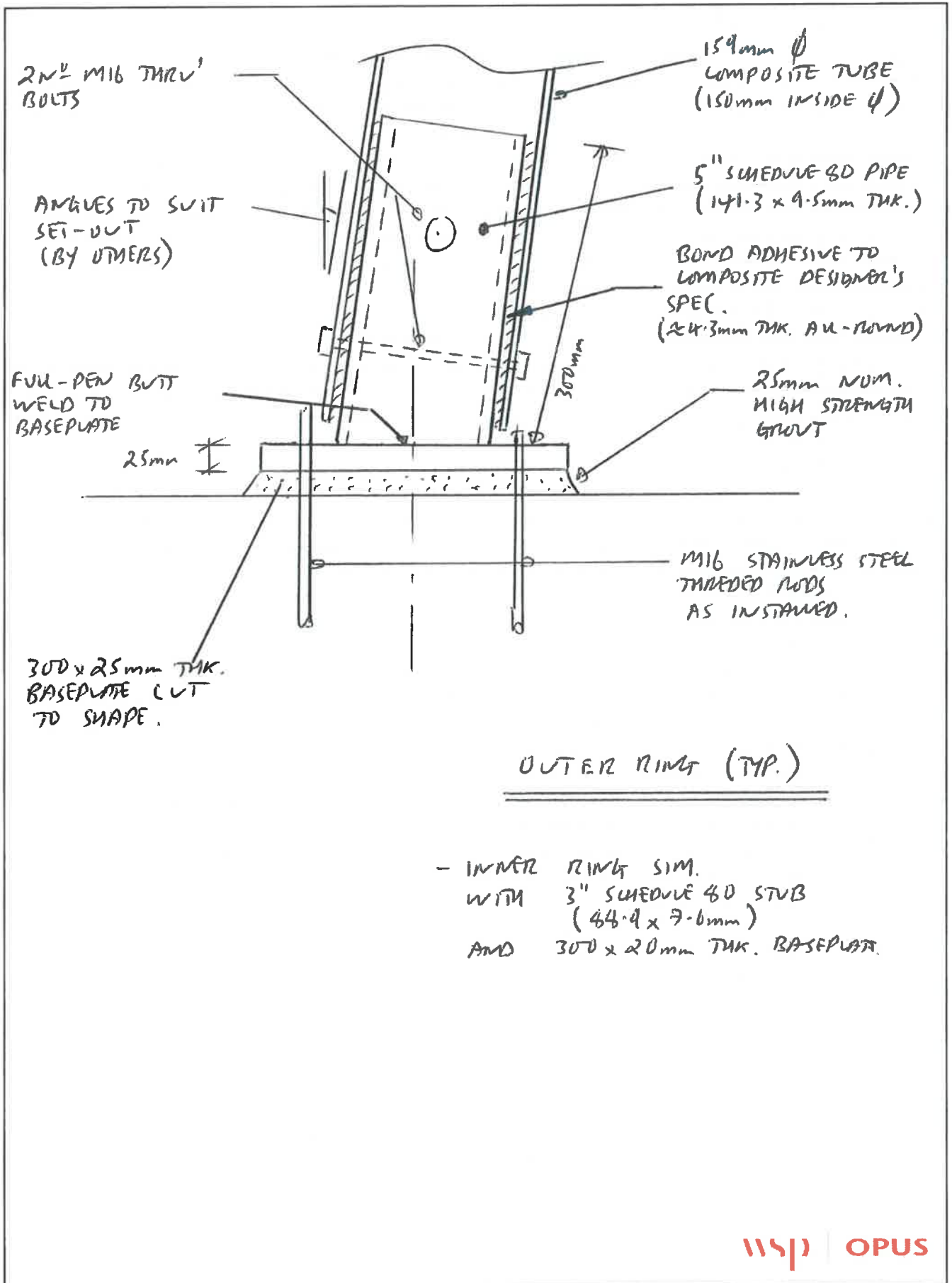
Sheet No. of

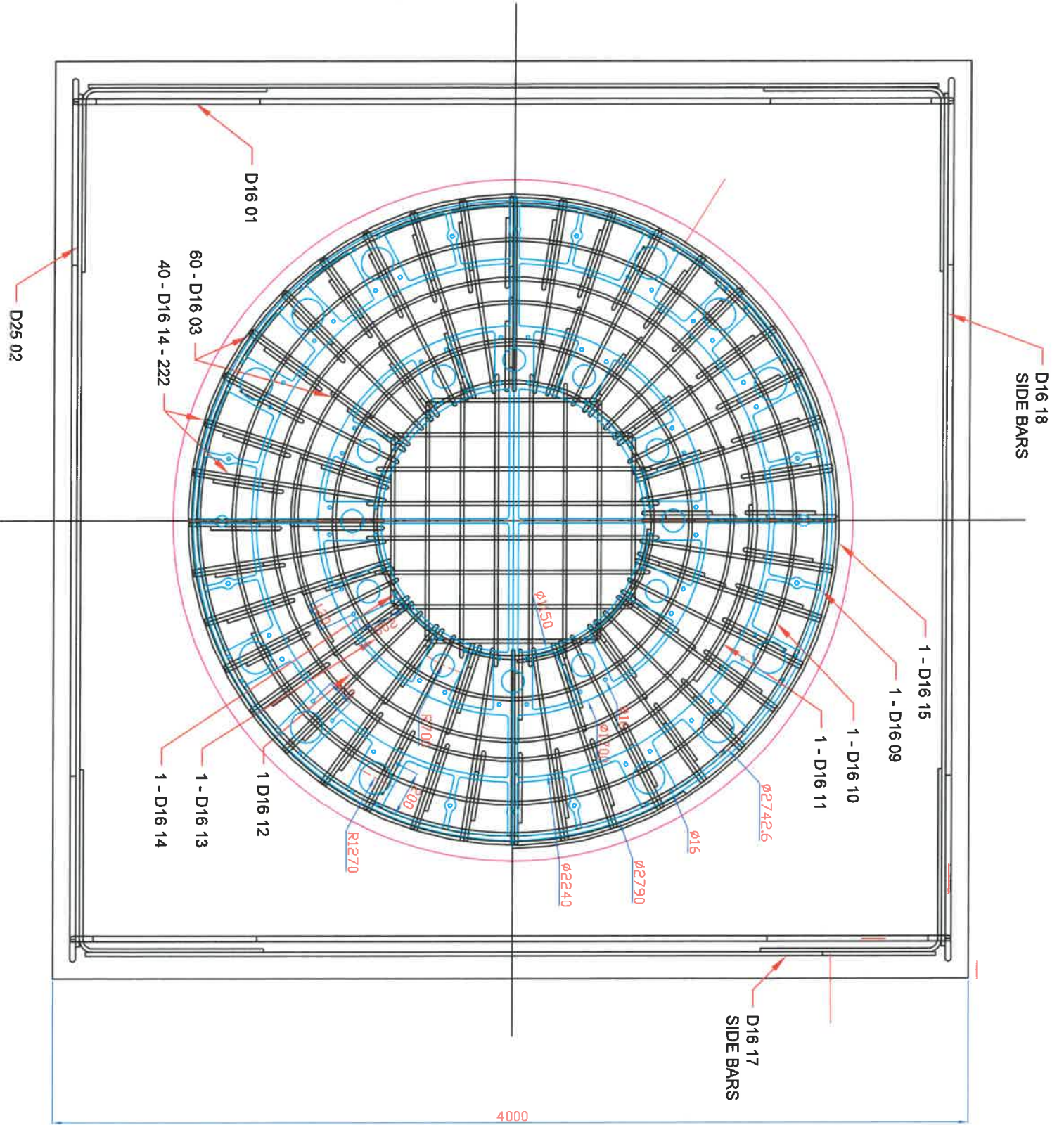
Project Description: .....

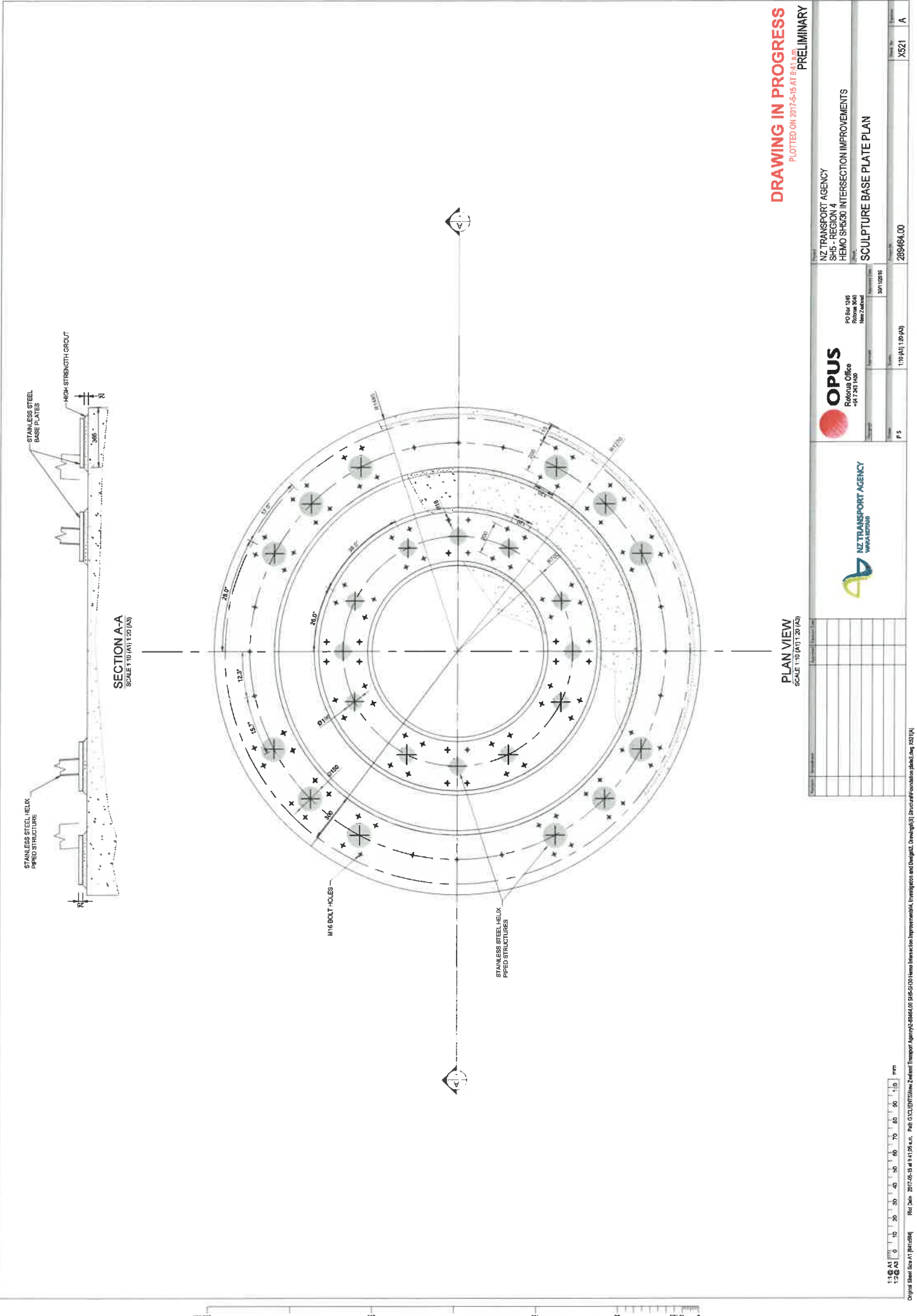
Office: .....

Computed: / /

Check: / /







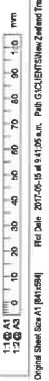
SECTION AA  
SCALE 1:10 (A1) 1:20 (A2)

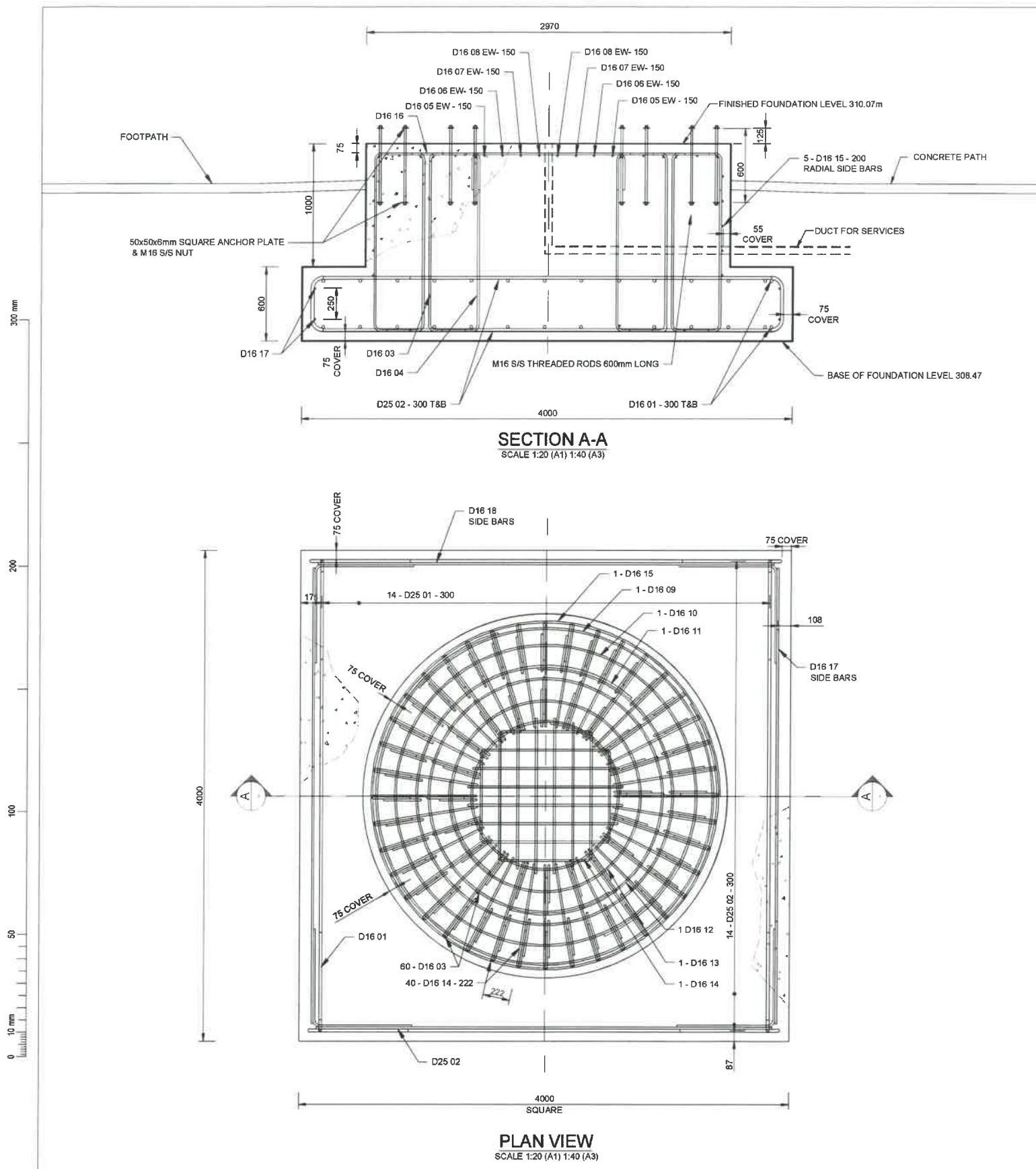
PLAN VIEW  
SCALE 1:10 (A1) 1:20 (A2)

**DRAWING IN PROGRESS**  
PLOTTED ON 2017-05-15 AT 9:41:01 AM  
**PRELIMINARY**

Client	NZ TRANSPORT AGENCY
Project	SH-5 - REGION 4
Drawn	HEMO SH5500 INTERSECTION IMPROVEMENTS
Checked	
Scale	SCULPTURE BASE PLATE PLAN
Drawn Date	28/04/16
Drawn By	X521 A

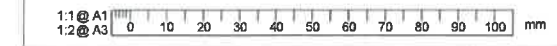
PO Box 1048 Riverside Office New Zealand 1140	30/1/2016
OPUS	1:10 (A1) 1:20 (A2)
P 5	28/04/16





BAR NO.	SHAPE	NUMBER OF ITEMS
25 - 01		14
25 - 02		14
16 - 03		60
16 - 04		60
16 - 05		4
16 - 06		4
16 - 07		4
16 - 08		4
16 - 09		1
16 - 10		1
16 - 11		1
16 - 12		1
16 - 13		1
16 - 14	1	
16 - 15	5	
16 - 16		40
16 - 17		4
16 - 18		4
	M16 S/S THREADED ROD	108
	50x50x6mm SQUARE ANCHOR PLATE	216
	M16 S/S NUT	216

**DRAWING IN PROGRESS**  
 PLOTTED ON 2017-5-15 AT 9:40 a.m.  
**PRELIMINARY**

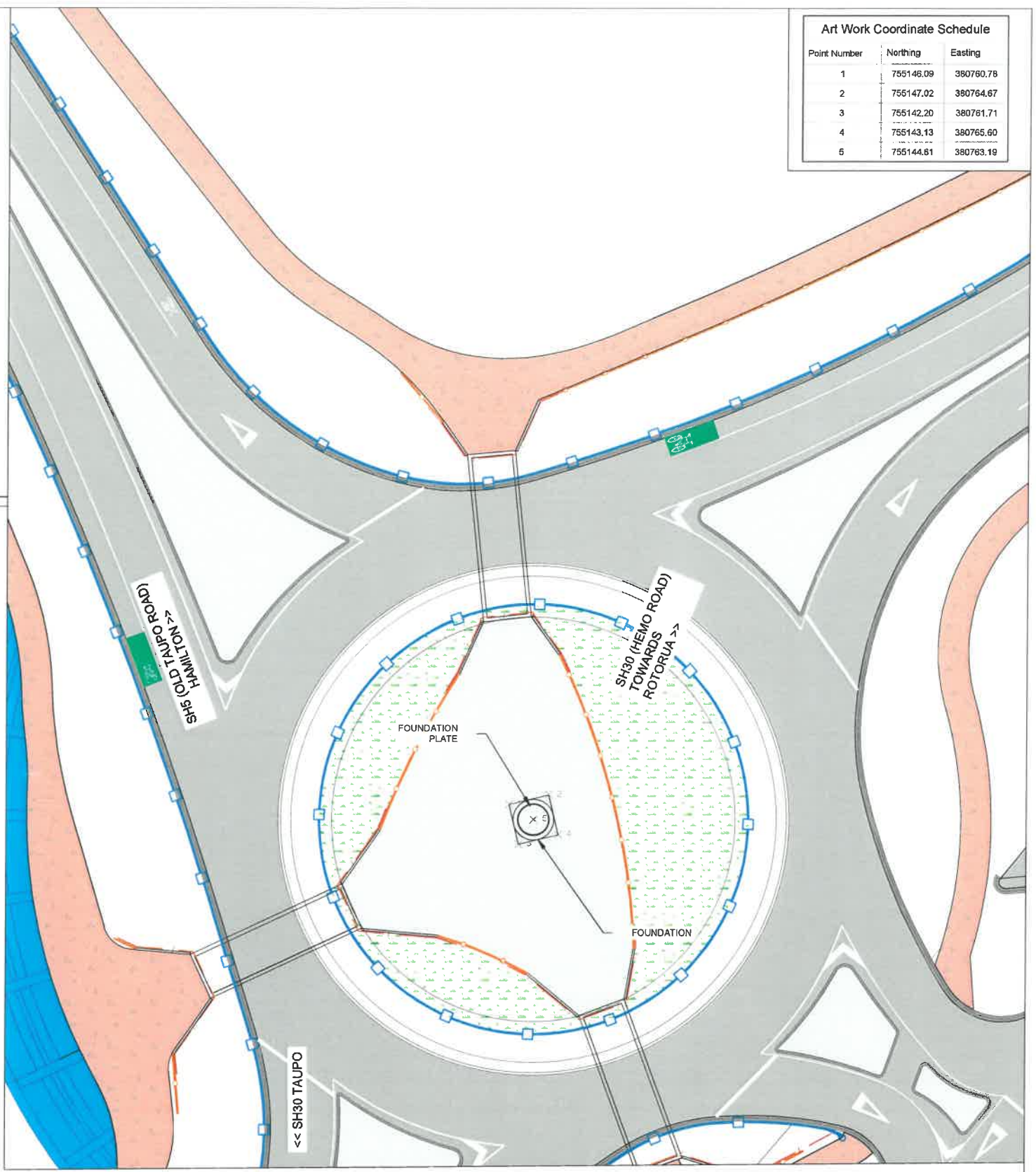
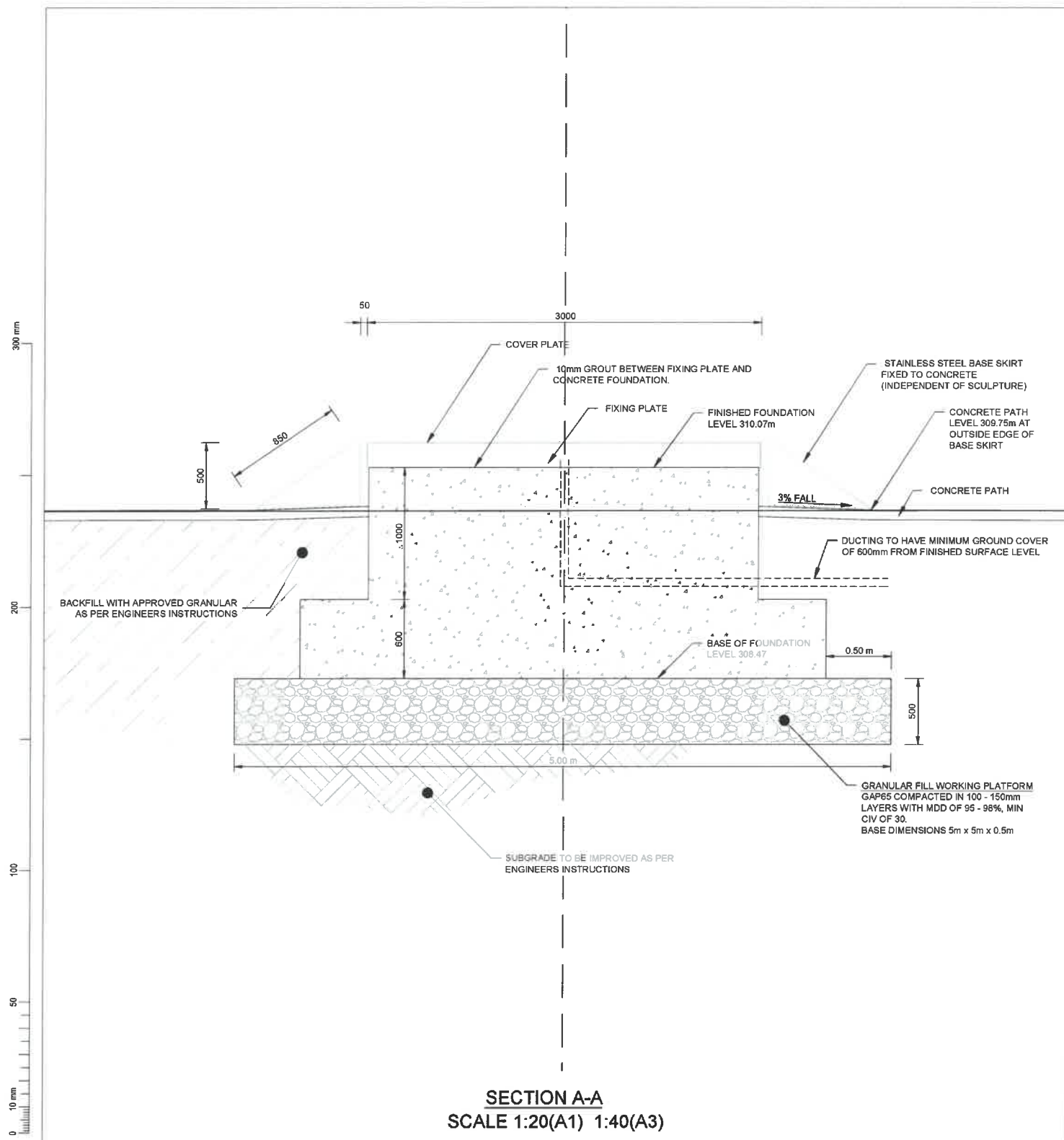


Revision	Amendment	Approved	Revision Date



NZ TRANSPORT AGENCY SH5 - REGION 4 HEMO SH5/30 INTERSECTION IMPROVEMENTS	
<b>CROSS SECTION OF RC FOUNDATION PLATE          PLAN VIEW &amp; SCHEDULE OF STEEL</b>	
Project No 289464.00	Sheet No X522
Scale 1:20 (A1) 1:40 (A3)	Revision A

Art Work Coordinate Schedule		
Point Number	Northing	Easting
1	755146.09	380760.78
2	755147.02	380764.67
3	755142.20	380761.71
4	755143.13	380765.60
5	755144.81	380763.19



**DRAWING IN PROGRESS**  
PLOTTED ON 2017-5-15 AT 9:43 a.m.  
**PRELIMINARY**

1:1 @ A1  
1:2 @ A3  
0 10 20 30 40 50 60 70 80 90 100 mm

Revision	Author	Approved	Revised Date



PO Box 1245  
Rotorua 3040  
New Zealand

NZ TRANSPORT AGENCY  
SH5 - REGION 4  
HEMO SH5/30 INTERSECTION IMPROVEMENTS

Designed	Approved	Approved Date	Sheet No.	Revision
P S		30/11/2016	289464.00	X523